

Operating Instructions

Original Operating Instructions for the NEWROX BK 61 Knife Sharpening Machine

Keep these Operating Instructions for use later!



It is essential that users read and observe the Operating Instructions!

Manufacturer



Newrox AG
Hauptstrasse 105
CH – 4147 Aesch



Tel.: +41 61 726 62 62
Fax: +41 61 726 62 60
E-Mail: info@newrox-ag.ch

Authorised Agent

Paul Schöndorf Metallwaren GmbH
Am Untergrün 4
79232 March- Buchheim

Tel.: +49 7665 95914
Fax: +49 7665 95915
E-Mail: info@paulschoendorf.de

Table of contents

Section	Content	Page
	Cover	1
	Table of contents	2-3
1.0	Explanation of the layout of the Operating Instructions	4-5
1.1	Foreword	5
1.2	Declaration of conformity	6
2.0	Scope of supply	7
3.0	Safety instructions before commissioning	7
3.1	Safety concept	8
3.2	What to do in the event of an accident	8
3.3	Hazard points and types of hazard	9-10
3.4	Intended use	11
3.5	Improper use	12
4.0	Requirements of the operating personnel	12+13
5.0	Technical data of the Knife Sharpening Machine	14
6.0	Description and function of the BK61 Knife Sharpening Machine	14
6.1	Description of the machine	14
6.2	Purpose of the machine	14
7.0	Transport	14+15
8.0	Installation and initial commissioning	15
8.1	Requirements of the installation location	15
8.2	Cleaning after installation	15
9.0	Assembly and commissioning	16
9.1	Control elements	16
10.0	Handling	16
10.1	Grinding procedure	17+18
10.2	Instructions for use	19
11.0	Faults and fault rectification	19
12.0	Maintenance, repairs, cleaning and care	20
12.1	Maintenance personnel (qualification and authorisation)	20
12.2	Safety instructions for repair work	20
12.3	Instructions and work instructions	21
12.4	Cleaning and care	21

Section	Content	Page
12.5	Instructions for changing grinding wheels	22
12.6	Maintenance and repair work	22
12.7	Testing, test report	22
12.8	Repair procedure, drawings and diagrams	23+24
13.0	Instructions for disposal	25
14.0	List of drawings and diagrams supplied	25
15.0	Index of illustrations	25
16.0	Copyright	25

1.0 Explanation of the layout of the Operating Instructions

Mandatory signs



It is essential that users read and observe the Operating Instructions!



Wear protective goggles!



Disconnect the mains plug!



Other mandatory instructions!

Warning signs



Caution!

Risk of trapping and crushing injuries to fingers from rotating discs
> Do not touch or grasp rotating discs



Caution!

Fire hazard from guard or knife rest contacting rotating grinding wheel
> Adjust guard and knife rest so that grinding wheel run freely



Caution!

Various hazards

Prohibitory signs



Forbidden!

Do not wash the machine with a water spray or jet!

Instructions

INSTRUCTION Hints for the user and other important information and instructions

Other signs

- > Instructions are always indicated with an arrow
- 1) Lists are always indicated with a number in a single bracket

1.1 Foreword

These Operating Instructions apply to the BK 61 Knife Sharpening Machine for grinding knives in catering operations, and meat and foodstuffs processing. The Knife Sharpening Machine has been conceived, designed and constructed by Newrox AG, CH-4147 Aesch and is marketed in the EU by this company. The Knife Sharpening Machine is brought to the market in compliance with the requirements of the Machinery Directive and current directives, standards and regulations. According to them the BK 61 Knife Sharpening Machine complies with all relevant, basic safety and health requirements.

Because, by definition, the BK 61 Knife Sharpening Machine is a machine (Chapter I, Article 1, Sect. 2 (a) Machinery Directive), the operating instructions are based on the

Machinery Directive 2006/42/EG

Prior to placing it on the market, the Knife Sharpening Machine has been subjected *inter alia* to a risk assessment on the basis of FMEA. The residual risk from the risk assessment was taken into account in the form of safety and conduct instructions.

To confirm conformity of the BK 61 Knife Sharpening Machine, Newrox AG has issued a

declaration of conformity according to the Machinery Directive,

to which a copy of the Operating Instructions is attached; the Operating Instructions thus become an integral part of placing the BK 61 Knife Sharpening Machine on the market. The CE mark is located on the type plate of the Knife Sharpening Machine.

1.2 Declaration of conformity

Newrox AG
CH - 4147 Aesch / Switzerland

EG Declaration of Conformity

in accordance with Directive 2006/42/EG

Directive 2006/42/EG applies to this product.

We declare herewith on our sole responsibility that we satisfy the obligations of Directive 2006/42/EG and that the products comply with the requirements of the directive.

In the event of any change to the product not approved by us, this declaration loses its validity.

Product designation: Knife Sharpening Machine
Type: BK 61
Year of manufacture:
Serial Numbers:

Placed on the market by:
Newrox AG
Hauptstr. 105
CH-4147 Aesch

Authorised agent of EU:
Paul Schöndorf
Metallwaren GmbH
Am Untergrün 4
D-79232 March Buchheim

Further applicable Directive: EMV Directive 2004/108/EG

Standards used	:	EN 12100	Status 08.2013
		EN 13854	Status 01.2020
		EN 60204-1	Status 06.2019
		EN 14118	Status 07.2018

Aesch, 14.07.2021

(Signature Ceo)
Newrox AG

2.0 Scope of supply

- 1) Sharpening machine
- 2) USB-Stick with Operating Instructions
- 3) Short Instruction
- 4) Power adapter
- 5) Protective goggles
- 6) Polished rod

3.0 Safety instructions before commissioning



Only put the Knife Sharpening Machine into operation when it has been correctly connected, and the user is thoroughly aware of its functions and of potential hazards.

Further procedures and measures

- 1) Check the scope of supply for transport damage and, where appropriate, take steps to repair or replace damaged parts.
- 2) Check that the Operating Instructions are present and complete. Do not use the machine without the Operating Instructions. The Operating Instructions must be available at the machine.
- 3) The Brief Instructions supplied are intended for use at the machine. They are not intended to replace the Operating Instructions. The Operating Instructions must still be read and observed.
- 4) Check functions on the basis of the Operating Instructions.
- 5) When the machine is handed over to the user, it is essential that he or she is instructed on the basis of the Operating Instructions.
- 6) Recommissioning after maintenance work:



Before recommissioning, the user or the repair personnel must make sure that the Knife Sharpening Machine can be correctly returned to service in accordance with the Operating Instructions.

In particular, the electrical connection must comply with connection data, and the grinding wheel must rotate in the specified direction.

3.1 Safety concept

The hazard points and the risks arising from them have been assessed in a risk analysis. The residual risks are described below in these Operating Instructions with explanations and recommendations how they can be avoided by the operating authority and the user.

Residual hazards and risks can never be entirely excluded due to potential malicious or improper use. The residual risk arising from the Knife Sharpening Machine is reduced by warning labels on the machine calling *inter alia* for the user to wear protective goggles, and by recommendations in the Operating Instructions.

There is always a possibility of components failing due to defects in materials or inadequate strength. For the Knife Sharpening Machine, no recognisable danger for the user or repairer would arise from such causes.

Decisive for the protection of the user and third parties is the safety-optimised design and construction, and modern safety concept for the grinding + polishing processes.

The machine has the following safety features:

- 1) The grinding wheel rotates towards the cutting edge so that neither the knife nor limbs can be drawn in.

3.2 What to do in the event of an accident

- 1) Switch the machine off
- 2) Call for first-aid assistance and have wounds dressed
- 3) Inform your supervisor
- 4) Describe how the accident happened (accident log)
- 5) Inform Newrox AG about the hazard

3.3 Hazard points and types of hazard

The risk assessment for the BK 61 Knife Sharpening Machine found the following hazard points related to the grinding processes.

Figure showing hazard points

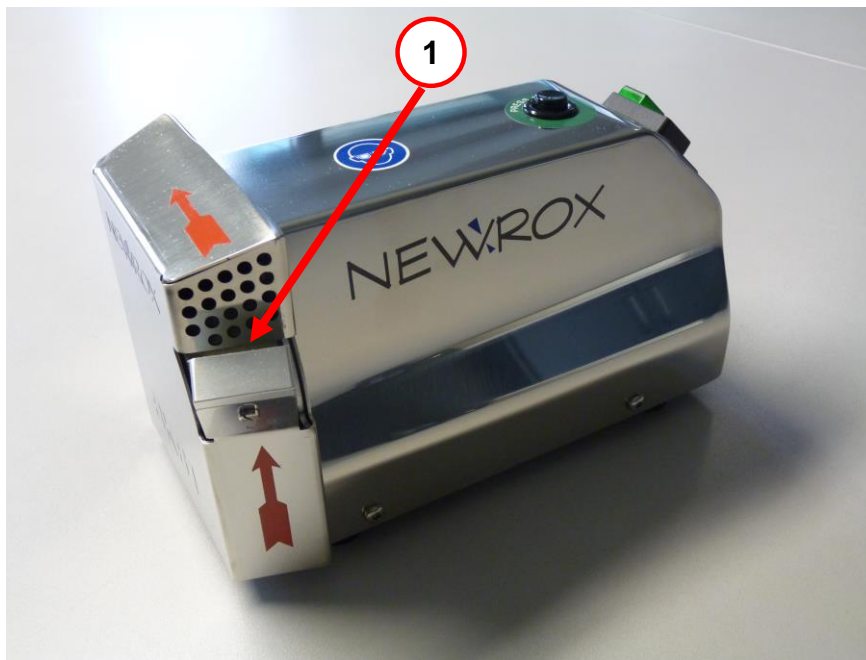


Fig. 1

Dangers and residual risks at hazard points during operation

Hazard point 1:

The likelihood of body parts being caught up, drawn in, crushed or abraded is very low due to the protective measures adopted, and so presents a very small danger.

To minimise the remaining residual risk, a further label on the machine and a symbol in the Operating Instructions instruct the user to wear protective goggles.

Consideration of general hazards

User

For the user the residual risks are relatively low, because hazard points that result from process motions are avoided by the safety concept described above.

Maintenance and repair personnel

Maintenance and repair personnel are far more exposed, because they must work on the machine when it is open and protective equipment switched off.

The machine can be operated by a third party. The machine can also be operated by Maintenance or repair personnel. Therefore:



Caution!

Risk of trapping and crushing injuries to fingers from rotating discs

> Do not touch or grasp rotating discs



Caution!

Danger from electric voltage

> Before opening the housing disconnect the mains plug!

For maintenance and repair personnel, appropriate measures must be taken to avoid hazards, for example by means of a clear instruction to disconnect from the mains before opening the machine. In principle, all hazards that apply to the user could also affect maintenance and repair personnel.

Other hazards

Other dangers arise from electrical energy – protective measures:

Besides the above hazards, fundamentally the danger of electric shock can arise from any machine operated by electric power as a result of the failure protection systems or wear.

Here, protective measures are correct operation, repeated inspection of the equipment to ensure that type-related requirements remain fulfilled, regular maintenance and repair, and the notification and rectification of faults and damage.



Caution!

Hazards due to dust

>The small amount of abraded material can be removed by connecting a dust extractor.

> If a dust extractor is not connected, wear a dust-protection mask.

INSTRUCTION

In Germany the operating authority must ensure that the work safety regulations and the instructions and regulations of the Berufsgenossenschaft (BGR), and in Switzerland those of the Schweizerischen Versicherungsanstalt (SUVA) are strictly observed. Similarly, if the machine is used in another country, the relevant work safety regulations there must be observed.

In addition, suitable personal protective equipment (PPE), for example ear defenders, protective goggles, and dust-protection masks must be available; such equipment must also comply with relevant EU directives.

3.4 Intended use

Section 4.0 defines “Requirements of the operating personnel” and provides useful information to aid their selection. A substantial part of proper use and avoiding incorrect use is already covered there. In the construction of the machine, it is assumed that the machine will be used for the intended purpose. This has led the designer to construct the machine so that improper use is prevented or at least very difficult.

The BK 61 Knife Sharpening Machine has been designed and constructed for grinding knives in catering operations, in meat and foodstuffs processing, and for sharpening-service providers.

It is only suitable for use as a stationary, bench-mounted unit.

- 1) The BK 61 Knife Sharpening Machine is intended exclusively for commercial use.
- 2) The BK 61 Knife Sharpening Machine is suitable for steel-bladed knives with hardness in the 50 - 65 HRC range.
- 3) The BK 61 Knife Sharpening Machine may only be used when it is in perfect technical condition (see Section 5.0, Technical Data).
- 4) When installing and commissioning the machine, the ambient conditions must be observed, in particular with regard to electrical safety (degree of protection, protection class, connection to the mains).
- 5) The machine must always be switched off after use
- 6) In the event of faults in the power supply and/or damage to the electrical or mechanical equipment, the BK 61 Knife Sharpening Machine must be switched off immediately and the main switch secured against uncontrolled switching back on.
- 7) Any faults or damage found must be corrected without delay.
- 8) The connection data, conditions for use, and performance data defined under proper use may not be changed.
- 9) The BK 61 Knife Sharpening Machine may not be modified or otherwise changed without prior consultation with and written approval from Newrox AG.
- 10) The protective equipment installed by Newrox AG must - except when expedient for maintenance or repair – always be present, correctly installed and fully functional. Protective equipment must never be circumvented or rendered ineffective.
- 11) Safety components such as limit switches, valves and other control system components may not be rendered non-functional.
- 12) The operating authority and the user must take suitable measures to forbid or prevent uncontrolled access to the immediate vicinity of the BK 61 Knife Sharpening Machine (even when it is out of service).
- 13) Persons who are under the influence of alcohol, other drugs or medications which impair their reactions may not use, repair or maintain the BK 61 Knife Sharpening Machine.

3.5 Improper use

Axes, scissors and related objects may not be ground on this machine! The machine is not suitable for knives with a serrated edge!

Accidents can only be avoided and trouble-free operation of the BK 61 Knife Sharpening Machine ensured if these Operating Instructions are strictly observed by the operating authority and the user.

Observing the Operating Instructions:

- 1) reduces downtime and repair costs
- 2) extends the useful life of the BK 61 Knife Sharpening Machine
- 3) ensures safe, ecologically sound operation

The Operating Instructions must be kept in a known location in the vicinity of the machine so that they are accessible to the user at all times.

The Operating Instructions must be read, understood and observed in all points both by the personnel responsible for the machine and by those using it.

4.0 Requirements of the operating personnel (only for commercial use)

This product is intended for private and commercial use.

Users or operating personnel should be persons who, on the basis of their specialist training, knowledge and experience, their knowledge of relevant national legal regulations, and of the Operating Instructions are able to:

- 1) assess the work with which they have been entrusted,
- 2) carry it out safely,
- 3) recognise potential hazards,
- 4) and take the measures necessary to eliminate the accident potential associated with operation.

Minimum age

Persons under the age of 18 who are under instruction, undergoing training, or under supervision are not permitted to carry out any work on the Knife Sharpening Machine. This does not apply to youths who are at least 16 years old if:

- 1) it is necessary for them to operate the Knife Sharpening Machine in order to achieve a training objective;
- 2) the protection of such youths is assured by the presence of an experienced specialist;
- 3) and the work equipment, tools and protective equipment used exclude the possibility of injury.

Training (only for commercial use)

The operating authority must train users and operating personnel regularly in the following subjects:

- 1) Observance and use of the Operating Instructions and legal requirements,
- 2) Proper use of the Knife Sharpening Machine
- 3) Yearly instruction in occupational safety and accident prevention,
- 4) Behaviour in an emergency and safety and hazard warnings for users and operators.

5.0 Technical data for the BK 92

Designation	Knife Sharpening Machine
Type	BK 61
Serial number	
Year of manufacture	
Machine type	Bench-mounted unit with electric motor drive for a grinding head
Associated secondary production processes	Motor, sheet-metal work, metal machining, electrical system for drive and controls
Processing time	Depends on the type of grinding operation to be carried out on the knife or similar object and the composition of the blade material
Operating personnel	One person suitably trained and instructed on the Knife Sharpening Machine, where appropriate with reference to BG guidelines or SUVA rules
Motor connection	230 V, 6A, 32,6W
Degree of protection	IP 20
Protection class	I
Protective equipment	Guard for the grinding wheel, housing, electrical protective equipment
External dimensions	Length 220 mm, width 130 mm, height 133 mm
Total weight ready for use	2.5 kg
Noise level	A-weighted equivalent continuous sound pressure level: <70 dB(A) Noise level at workplace: <70 dB(A)
Control system	ON-OFF switch

6.0 Description and function of the BK 92 Knife Sharpening Machine

The Knife Sharpening Machine is a metal-cutting machine designed to bring handheld knives in foodstuffs processing or sharpening services to optimum sharpness. The machine and its grinding unit (grinding wheel) are designed to ensure uniform grinding results under different types of use and handling.

The prerequisite is that the knives, due to the process used in their manufacture and their material, are suitable to provide optimum results in the Knife Sharpening Machine. This presupposes that the operator has been suitably instructed, and that the unit is in perfect working order.

6.1 Description of the machine

Grinding disc is driven by a motor. The grinding wheel is driven directly. Disc rotate in direction upwards.

Operation of the Knife Sharpening Machine is explained in detail in Section 10 of these Operating Instructions.

A drawing in Section 12.8 shows an exploded view of the machine with its individual components numbered. A table on the page following the drawing lists the parts against their numbers as shown in the drawing. There is a wiring diagram on the page after that.

6.2 Purpose of the machine

Two operation can be carried out using the Knife Sharpening Machine:

Grinding – Knife blade is held against the stop in front of the grinding wheel until the blade touches the grinding wheel. Pull the blade along the grinding wheel from left to right until a grinding burr emerges.

Polishing - Then remove it on the polishing pad

7.0 Transport

For transport and loading no special conditions have to be fulfilled. The packing, loading and load-securing measures that are normal for goods of this type apply.

The Knife Sharpening Machine and its parts are packed by Newrox AG so that in normal transport by road, rail or air freight no damage can occur that is likely to cause an undetectable safety risk during unloading, installation or operation. Should, however, damage occur during transport, this is the responsibility of the transport company, which must provide evidence of appropriate insurance and approval to Newrox AG or the operating authority.

It is a precondition that all vehicles and equipment within the transport chain comply with current work safety and accident-prevention regulations, and that the persons involved have the necessary technical qualifications and competence.

INSTRUCTION

Following transport of the Knife Sharpening Machine or its components and sub-assemblies, it is essential that, before the machine is installed, an inspection for transport damage is carried out to determine whether the machine and parts are defect free for subsequent operation.

8.0 Installation and initial commissioning

Installation and initial commissioning of the Knife Sharpening Machine are carried out by the purchaser or operating authority. The operating authority must ensure that the operating personnel is instructed in all aspects of its use.

These actions must be carried out in accordance with the Operating Instructions. The components and sub-assemblies of the Knife Sharpening Machine do not give rise to any hazard, e.g. from auxiliary materials.

The general work safety and accident-prevention regulations for the country in which the machine is installed apply.

8.1 Requirements of the installation location

The machine is only suitable for use in dry rooms in the temperature range from +10 to +30 degrees Celsius.

The Knife Sharpening Machine is a bench-mounted unit which requires a mounting sufficiently stable for its weight and use.

The mounting surface must be flat and horizontal. In particular, it must be in a room that permits safe operation of the Knife Sharpening Machine.

8.2 Cleaning after installation

INSTRUCTION

Keep the machine and its surroundings clean!

9.0 Assembly and commissioning

This section indicates the main work steps that it is important for the operator to follow in order to ensure danger-free switching on and off grinding.



In the event of a fault or a warning, the person responsible for the Knife Sharpening Machine must always be notified. Correction of a fault by the operator or a person not authorised to do so is a potential danger to the operator and third parties.

The machine is supplied assembled and ready to use.

- 1) Remove the machine from its packing.
- 2) Check that it is complete – see Section 2.0, Scope of supply.
- 3) Connect the power adapter

9.1 Control elements

The machine's START switch is located on the machine (black push button) of the restart safety switch on the right side of the machine.

Restart circuit breaker: Press the green button: ON , press the red button: OFF

Start switch: 2-3 sec. push

10.0 Handling

The Operating Instructions must be used to ensure proper use of the Knife Sharpening Machine and to recognise faults. The Brief Instructions supplied are intended for use at the machine. They are not intended to replace the Operating Instructions. The Operating Instructions must still be read and observed.

10.1 Grinding and polishing procedure



Wear protective goggles!



Caution!

Do not use the machine to sharpen axes, hatchets, wavy-edged knives etc. This machine is only suitable for meat knives, kitchen knives etc. that do not have grooves or a wavy edge.

Excessive pressure on the grinding wheel will cause blueing of the knife.

- 1) Stand in front of the machine.
- 2) Start with the handle as close as possible to the grinding wheel.
- 3) Without pressure, draw the handle to the right, away from the grinding wheel.
- 4) The blade should contact the grinding wheel in the middle of its width. Raise the handle progressively as you move the knife so as to give the blade the required form. Important! The blade must not become discoloured.



Fig. 2

- 5) Allow the tip of the knife to grind out with the grinding wheel in the middle of the blade width



Fig. 3

- 6) You can grind just the tip of the knife – it is not always necessary to grind the whole blade.
- 7) Repeat the whole procedure for the other side of the knife. This time the knife handle must be to the left of the grinding wheel.



Fig. 4

Important! Repeat the grinding operations until there is a fine grinding burr all the way along the cutting edge. Next, the blade must be polished.

- 8) Pull the knife at an angle of 15-20 ° over the polishing rod (both sides) then over a fine grinding steel also with an angle of 15-20 °



Bild 5



Bild 6

- 9) Before using the knife again, clean off particles of grinding dust.

10.2 Instructions for use (only for commercial use)

For the operator of the Knife Sharpening Machine, the operating authority must write work instructions and hang them up or otherwise make them available at the place where the machine is installed/used.

11.0 Faults and fault rectification

INSTRUCTION

In the event of a fault, danger for the operator only arises if he or she acts contrary to the Operating Instructions, for example, makes an unauthorised intervention and tries to correct the fault himself (herself).

The rectification of faults is to be carried out exclusively by persons authorised to do so by the operating authority, or by NEWROX Service.

Fault	Possible cause	Remedy
Machine does not run	- No power	- Check mains connection
	- Build up of dirt in the machine due to poor maintenance	Attention! Observe safety instructions - Disconnect the mains plug! Clean the machine as described in Section 12.4
Knives not being properly sharpened	- User error	- Contact the supplier
	- Grinding wheel worn out	Attention! Observe safety instructions - Disconnect the mains plug! - Change grinding wheel as described in Section 12.5.

12.0 Maintenance, repairs, cleaning and care

The term “corrective maintenance” describes all measures aimed at conserving and reinstating the proper condition, and to determining and assessing the current state of the technical means of a system or the system itself.

The above measures are sub-divided into:

Inspection (determining the current state)

e.g. checking compliance with occupational safety and accident-prevention regulations, checking settings or reference values.

Maintenance (conservation of the intended condition)

e.g. cleaning, replacing auxiliary materials and substances, replacing small wear parts (seals), retightening loose parts.

Repair work (reinstating the intended condition).

e.g. repairs following faults, failures or damage, or replacement of parts subject to wear. After repair work, a functional test must be carried out and documented in a report.

The operating authority must keep a logbook describing all maintenance and repair work. The inspections called for by occupational safety and accident-prevention regulations are to be documented by filing the relevant inspection reports. This calls for accessible files containing the relevant, up-to-date technical rules and regulations.

The logbook must contain the contents specified above and be kept up to date.

12.1 Maintenance personnel (qualification and authorisation)

We recommend that repairs and corrective maintenance are carried out by persons authorised by Newrox.

We accept no responsibility for unauthorised maintenance personnel that do not come from Newrox AG.

12.2 Safety instructions for repair work

In order to avoid danger for maintenance personnel and third parties, the hazards mentioned in Section 3.3, arising from the various measures necessary for repairs and corrective maintenance, must be taken into account. In addition, the instructions and work instructions given in Section 12.3 must be followed.

12.3 Instructions and work instructions

- 1) All repair and corrective maintenance work must be carried out in good time, properly and completely.
- 2) When you switch the Knife Sharpening Machine off, secure the main switch against unintentional or negligent switching back on.
- 3) For exchange/replacement use only new, identical and tested components, spare parts and operating materials in original-equipment quality as listed in Newrox AG Technical Documentation. The installation of used or untested components is forbidden for safety reasons.
- 4) Every time before you (re)commission the machine, make sure that all protective devices are properly installed and have been tested to ensure that they function correctly.
- 5) Inform affected personnel from the operating authority before recommissioning the Knife Sharpening Machine.

12.4 Cleaning and care

Cleaning and care may only be carried out by persons authorised to do so by the operating authority.



Disconnect the mains plug!



Forbidden!

Do not wash the machine with a water spray or jet!

After about 5 operating hours, the magnetic strip of the grinding wheel cover must be cleaned of abrasive particles. Disconnect the mains plug, then unscrew the housing cover to clean it. Then clean the magnetic strip with a brush and replace the hood and screw it on. Tighten screws only slightly!

After about 20 operating hours, the interior of the machine must be cleaned of abrasive particles. Pull out the mains plug, then unscrew the housing cover to clean the grinding machine. Then vacuum the dirt particles (do not jam the cable!) And screw on. Tighten screws only slightly!

To clean the outside of the housing, use a pH-neutral cleaning agent.

After cleaning and care with a liquid, do not put the machine back into operation immediately – allow the unit to dry after cleaning, or use dry cloths to wipe it dry.

12.5 Instructions for changing grinding wheels

Grinding wheels may only be changed by Newrox Service or persons authorised to do so by the operating authority.

Use only original grinding wheels, otherwise the quality of the results cannot be guaranteed.

Changing the **grinding wheel** (see drawing in Section 12.9)



Disconnect the mains plug!

- 1) Disconnect power plug, then loosen screw of cover pos.3
- 2) Lift the cover and place it next to the machine
- 3) Rotate the grinding wheel Pos.06 downwards by hand from the adapter shaft-washer pos.5, while holding the adapter in the groove with a screwdriver
- 4) Unscrew the new washer and tighten by hand. Wave again with a screwdriver.
- 5) Fit the cover and screw in the screw, **tighten only slightly**
- 6) Check if the grinding wheel rotates freely and does not drag on the housing

12.6 Corrective maintenance and repair plan

Task	How often	Material, procedure
Clean magnet of the grinding wheel cover	Every 5 hours operation	See Section 12.4, Cleaning and care
Clean interior	Every 20 hours operation	See Section 12.4, Cleaning and care
Change grinding wheel	Every 5,000 grinding operations	See Section 12.5, Changing the grinding wheel

12.7 Testing

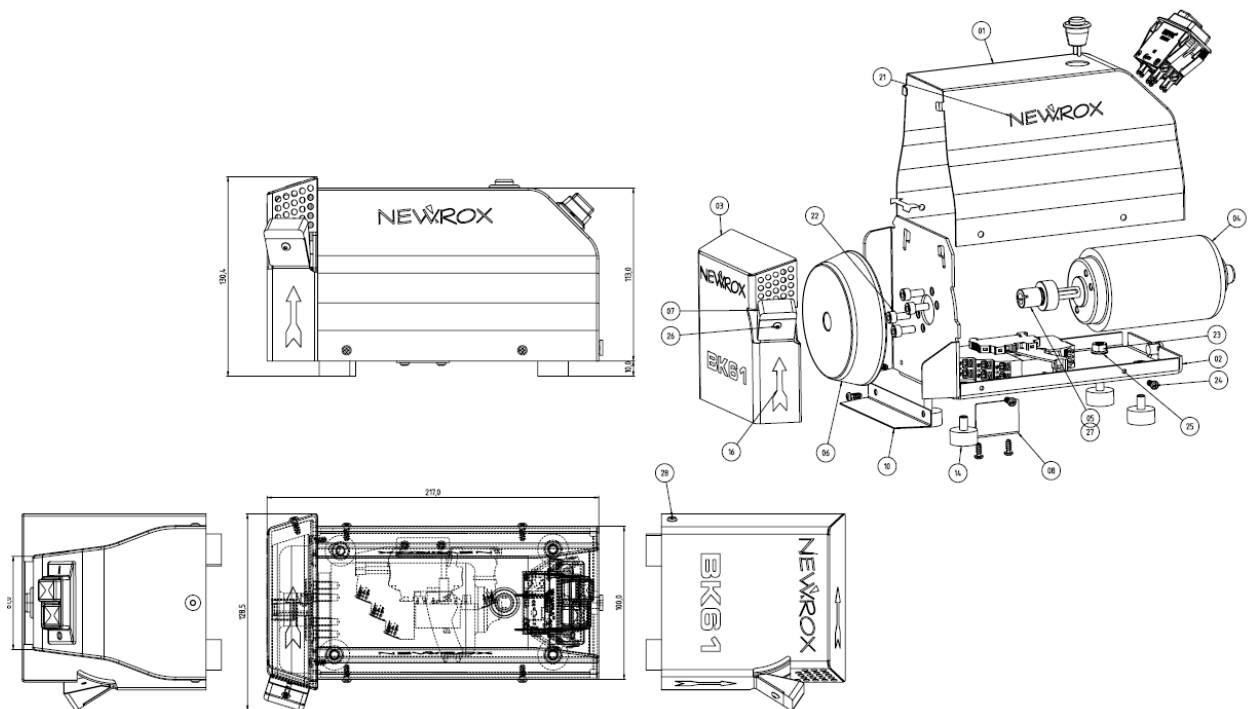
The Knife Sharpening Machine must be tested every time before commissioning or recommissioning, e.g. after repair work, to ensure the safety devices function and that the machine operates correctly. Similarly, a regular test (generally once a year) is to be carried out. Use the test report, below, for these tests.

12.8 Drawings and plans

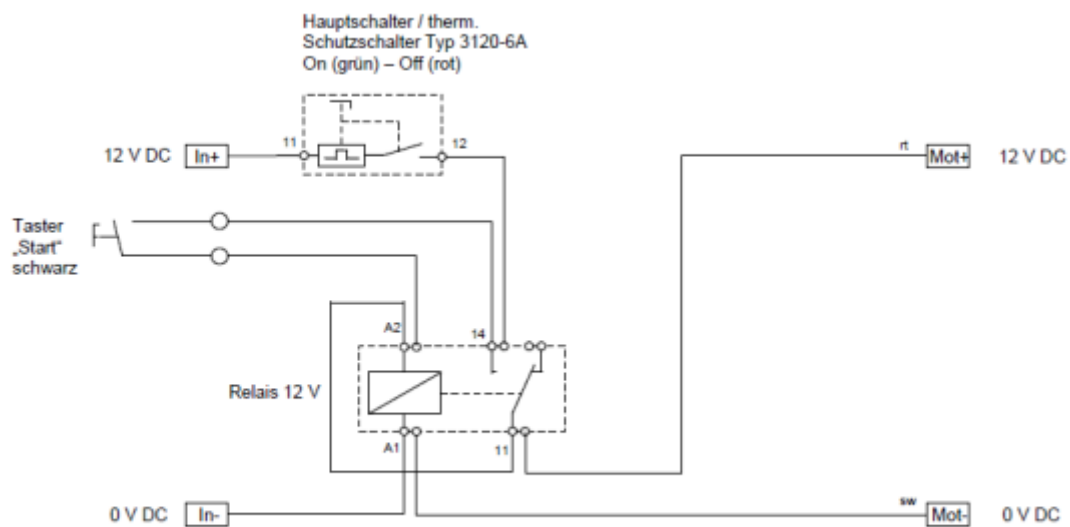
Parts and spare parts list

Pos.	Bestell Nr.	Gegenstand	Anzahl
1	6101	Cover	1
2	6102	Baseplate	1
3	6103	Disc cover	1
4	6104	Electric motor	1
5	6105	Adapter disc	1
6	6106	Grinding wheel	1
7	6107	Rest	1
8	6108	Angle	1
10	6110	Cover blade below	1
11	6111	Electrical: switch, socket, relay etc.	1
11a	6111a	Start switch	1
11b	6111b	On-off switch	1
11c	6111c	Plug socket	1
11d	6111d	Relay	1
12	6112	Power adapter	1
13	6115	Magnetic stripe	0,1
14	6114	Buffer	4
15	6115	Type plate	1
16	6116	Label " Direction arrow "	2
17	6117	Label " Wear protective goggles "	1
18	6118	Label " Disconnect mains plug "	1
19	6119	Label "BK61" (left side)	1
20	6120	Label "Newrox " (smal left)	1
21	6121	Label "Newrox " (big front)	1
21a	6121a	Label "Press 2 sec."	1
22	6122	Socket cap screw (el.motor mounting)	4
23	6123	Hex-nut (buffer fastening)	4
24	6124	Tapping screw (cover)	8
25	6125	Serrated Washer (buffer)	4
26	6126	Raised csk. screw (knife rest)	1
27	6127	Headless screw (adapter washer)	1
28	6128	Tapping screw	1
30	6130	Polishing lathe	1
32	6132	Polishing Flies	1VE
33	6133	Velcro self-adhesive	1
34	6134	Protective goggle	1

Exploded drawing



Wiring diagram



13.0 Instructions for disposal

When disposing of the machine, observe local legal requirements.

The machine contains no hazardous substances (possible exception: materials that may be incorporated in electrical components)

14.0 List of drawings and diagrams supplied

Parts and spare parts list	Page 23
Exploded drawing	Page 24
Wiring diagram	Page 24

15.0 Index of illustrations

Fig. 1	Hazard points	Page 9
Fig. 2	Grinding procedure	Page 17
Fig. 3	Grinding procedure	Page 17
Fig. 4	Grinding procedure	Page 18
Fig. 5	Polishing procedure	Page 18
Fig. 6	Polishing procedure	Page 18

16.0 Copyright

These Operating Instructions may not be electronically or mechanically reproduced, distributed, changed, transmitted, translated into another language, or otherwise used or reproduced either in whole or in part without express written approval from Newrox AG. If, however, by using copies or partial copies, the safety of users, operators, or third parties at the BK 61 Knife Sharpening Machine can be assured during its proper use, then such copies are exceptions and independent of copyright.